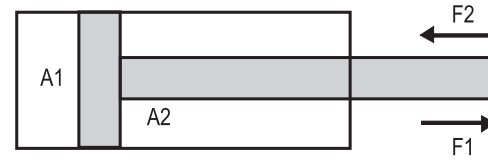


Parça (components)	Malzeme (material)
1 Kromlu mil (chrome plated rod)	Ck45 f7
2 Ön kafa (front end cap)	C 1040 - C 1050
3 Ön boru flanşı (front flange)	C 1040 - C 1050
4 Honlanmış boru (cylinder body)	St 52 H8
5 Piston (piston)	C 1040 - C 1050
6 Arka boru flanşı (rear flange)	C 1040 - C 1050
7 Somun (self-locking nut)	C 1050
8 Arka kapak (rear end cap)	C 1040 - C 1050
9 Toz keçesi (wiper)	NBR - PU
10 Boğaz keçesi (rod seal)	PU
11 Boğaz yataklaması (rod guides)	POM
12 O-ring (o-ring seal)	RSD
13 O-ring (o-ring seal)	NBR
14 Piston keçesi (piston seal)	NBR-POM Compach
15 O-ring (o-ring seal)	NBR



PİSTON	ROD	A1 (cm ²)	A2 (cm ²)	160 Bar	
				F1 (kg)	F2 (kg)
Ø32	18	8,04	5,50	1286	880
	22		4,24		678
Ø40	22	12,57	8,77	2011	1403
	28		6,41		1026
Ø50	28	19,63	13,48	3141	2157
	36		9,46		1514
Ø63	36	31,17	20,99	4987	3358
	45		15,27		2443
Ø80	45	50,27	34,365	8043	5498
	56		25,64		4102
Ø100	56	78,54	53,91	12566	8626
	70		40,06		6410
Ø125	70	122,72	84,23	19635	13477
	80		72,45		11592
Ø140	80	153,94	103,67	24630	16587
	90		90,32		14451
Ø160	90	201,06	137,44	32170	21990
	100		122,52		19603
Ø180	100	254,47	175,93	40715	28149
	110		159,44		25510
Ø200	110	314,16	219,132	50266	35061
	120		201,06		32170

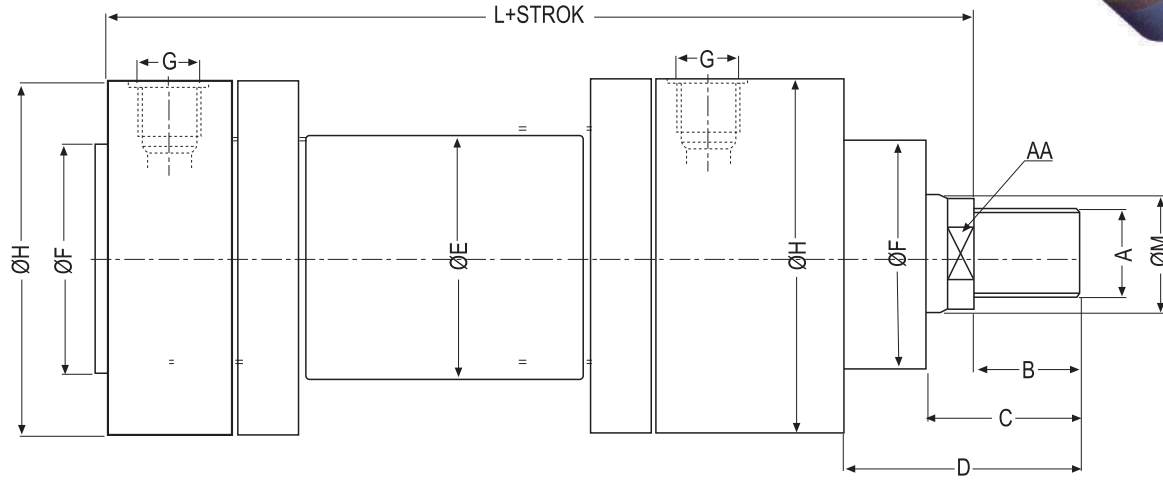
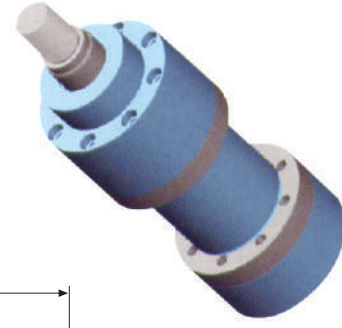
► BHC01-0/.... SERİSİ HİDROLİK SİLİNDİRLER

BHC01-0/.... SERIES HYDRAULIC CYLINDERS

- Bluetech'in yeni ürün grubu olan hidrolik silindirler, hidrolik makineleri çalıştırmak ve kontrol etmek için gereken ihtiyacı en avantajlı, şekilde karşılarlar. Hem açma kapama hemde oransal kontrol gereken sistemlerde, yüksek güvenilirlik, fonksiyonellik, mükemmel statik ve dinamik çalışma karakteristiğine sahiptirler.

The new range of "bluetech" hydraulic cylinders meet the most advanced requirements for control and operating of machine and plants both in on / off or proportional control systems high functional reliability, excellent repeatably top static and dynamic characteristic.

*ISO 6020/1 CETOP R58 H tip standartlarında hidrolik silindirler. Çalışma Basıncı P : 160 Bar
*ISO 6020/1 CETOP R58 H type standards hydraulic cylinders. Working Pressure P : 160 Bar

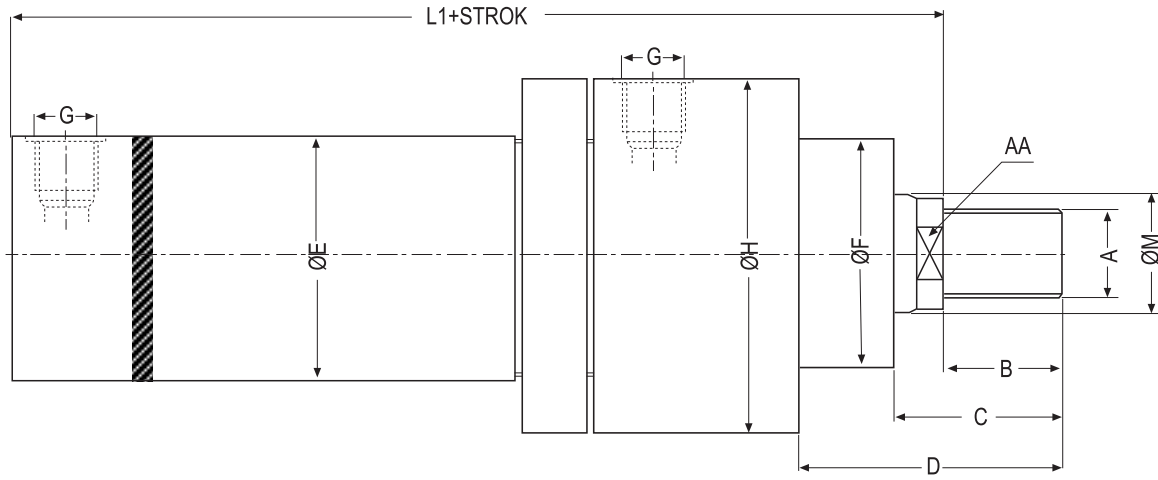


PİSTON	Ø32	Ø40	Ø50	Ø63	Ø80	Ø100	Ø125	Ø140	Ø160	Ø180	Ø200
M	18 / 22	22 / 28	28 / 36	36 / 45	45 / 56	56 / 70	70 / 80	80 / 90	90 / 100	100 / 110	110 / 120
A	M14X1,5	M16X1,5	M20X1,5	M27x2,0	M33X2,0	M42X2,0	M48x2,0	M56x2,0	M64x3,0	M72x3,0	M80x3,0
	M16X1,5	M20X1,5	M27X2,0	M33X2,0	M42X2,0	M48X2,0	M56x2,0	M64x3,0	M72x3,0	M80x3,0	M85x3,0
AA	14 / 17	17 / 22	22 / 30	30 / 36	36 / 45	45 / 60	60 / 68	68 / 75	75 / 85	85 / 95	95 / 105
B	18 / 22	22 / 28	28 / 36	36 / 45	45 / 56	56 / 63	63 / 75	75 / 85	85 / 90	90 / 95	95 / 100
C	31 / 35	35 / 39	42 / 50	52 / 61	63 / 74	76 / 94	86/98	100 / 110	110 / 115	120 / 125	125 / 130
D	50	54	66	81	99	113	123	140	151	165	170
E	40	50	60	75	95	115	150	165	190	210	245
F	40	50	60	70	85	106	132	145	160	185	200
G	R1/4"	R3/8"	R1/2"	R1/2"	R1/2"	R3/4"	R3/4"	R3/4"	R1"	R1"	R1"
H	68	78	98	108	135	158	186	210	240	255	305
L	170	190	205	224	250	300	328	360	370	425	450
L1	165	194	212	237	259	300	313	320	350	400	410

*Özel dizayn ve talepleriniz için lütfen bizimle irtibat kurunuz.
*Please contact us for your special requirements and demands.



*ISO 6020/1 CETOP R58 H tip standartlarında hidrolik silindirler. Çalışma Basıncı P : 160 Bar
*ISO 6020/1 CETOP R58 H type standards hydraulic cylinders. Working Pressure P : 160 Bar



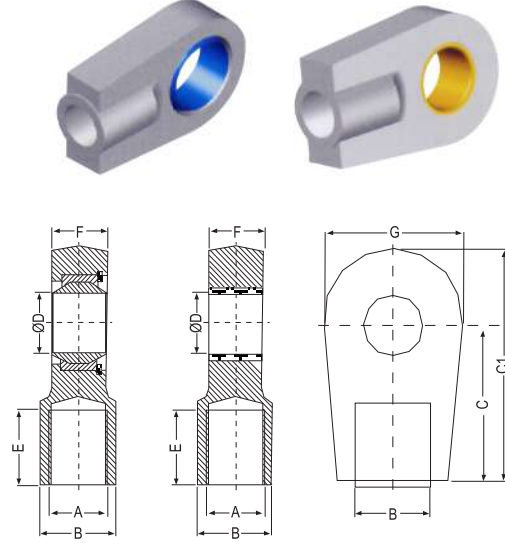
PİSTON	Ø32	Ø40	Ø50	Ø63	Ø80	Ø100	Ø125	Ø140	Ø160	Ø180	Ø200
M	18 / 22	22 / 28	28 / 36	36 / 45	45 / 56	56 / 70	70 / 80	80 / 90	90 / 100	100 / 110	110 / 120
A	M14X1,5	M16X1,5	M20X1,5	M27x2,0	M33X2,0	M42X2,0	M48x2,0	M56x2,0	M64x3,0	M72x3,0	M80x3,0
	M16X1,5	M20X1,5	M27X2,0	M33X2,0	M42X2,0	M48X2,0	M56x2,0	M64x3,0	M72x3,0	M80x3,0	M85x3,0
AA	14 / 17	17 / 22	22 / 30	30 / 36	36 / 45	45 / 60	60 / 68	68 / 75	75 / 85	85 / 95	95 / 105
B	18 / 22	22 / 28	28 / 36	36 / 45	45 / 56	56 / 63	63 / 75	75 / 85	85 / 90	90 / 95	95 / 100
C	31 / 35	35 / 39	42 / 50	52 / 61	63 / 74	76 / 94	86/98	100 / 110	110 / 115	120 / 125	125 / 130
D	50	54	66	81	99	113	123	140	151	165	170
E	40	50	60	75	95	115	150	165	190	210	245
F	40	50	60	70	85	106	132	145	160	185	200
G	R1/4"	R3/8"	R1/2"	R1/2"	R1/2"	R3/4"	R3/4"	R3/4"	R1"	R1"	R1"
H	68	78	98	108	135	158	186	210	240	255	305
L	170	190	205	224	250	300	328	360	370	425	450
L1	165	194	212	237	259	300	313	320	350	400	410

*Özel dizayn ve talepleriniz için lütfen bizimle irtibat kurunuz.
*Please contact us for your special requirements and demands.

► ÖN MAFSAL

PİSTON	M	A	B	C	C1	D	E	F	G
Ø32	18	M14X1,5	21	44	64	16	19	13	40
Ø40	22	M16X1,5	25	52	77	20	23	17	47
Ø50	28	M20X1,5	30	65	96	25	29	21	58
Ø63	36	M27X2,0	38	80	118	30	37	27	70
Ø80	45	M33X2,0	47	97	145,5	40	46	32	89
Ø100	56	M42X2,0	58	120	179	50	57	40	108
Ø125	70	M48X2,0	70	140	211	60	64	52	132
Ø140	80	M56X2,0	80	160	245	70	76	57	155
Ø160	90	M64X3,0	90	180	270	80	86	66	168
Ø180	100	M72X3,0	100	195	296	90	91	72	185
Ø200	110	M80X3,0	110	210	322	100	96	84	210

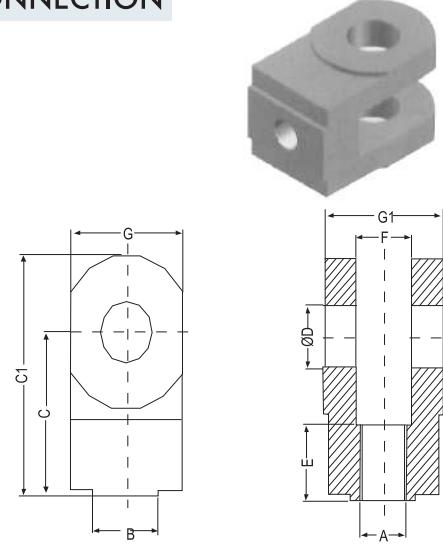
ROD CLEVIS



► ÇATAL BAĞLANTI

PİSTON	M	A	B	C	C1	D	E	F	G	G1
Ø32	18	M14X1,5	21	44	64	16	19	16	32	36
Ø40	22	M16X1,5	25	52	77	20	23	20	40	45
Ø50	28	M20X1,5	30	65	96	25	29	25	50	56
Ø63	36	M27X2,0	38	80	118	30	37	32	65	70
Ø80	45	M33X2,0	47	97	145,5	40	46	40	80	90
Ø100	56	M42X2,0	58	120	179	50	57	50	100	110
Ø125	70	M48X2,0	70	140	211	60	64	63	130	140
Ø140	80	M56X2,0	80	160	245	70	76	70	145	155
Ø160	90	M64X3,0	90	180	270	80	86	80	160	170
Ø180	100	M72X3,0	100	195	296	90	91	90	180	190
Ø200	110	M80X3,0	110	210	322	100	96	100	200	210

U-TYPE CONNECTION



► AYAK BAĞLANTI

PİSTON	A	B	C	C1	D	E	F	G	G1
Ø32	55	80	13	40	16	16	36	90	65
Ø40	70	95	15	45	20	20	45	100	75
Ø50	85	115	18	55	25	25	56	120	85
Ø63	110	145	22	65	30	32	70	145	110
Ø80	125	170	24	76	40	40	90	185	130
Ø100	150	200	30	95	50	50	110	215	170
Ø125	170	230	37	112	60	63	140	270	210
Ø160	210	280	43	149	80	80	170	320	250

FOOT CONNECTION

